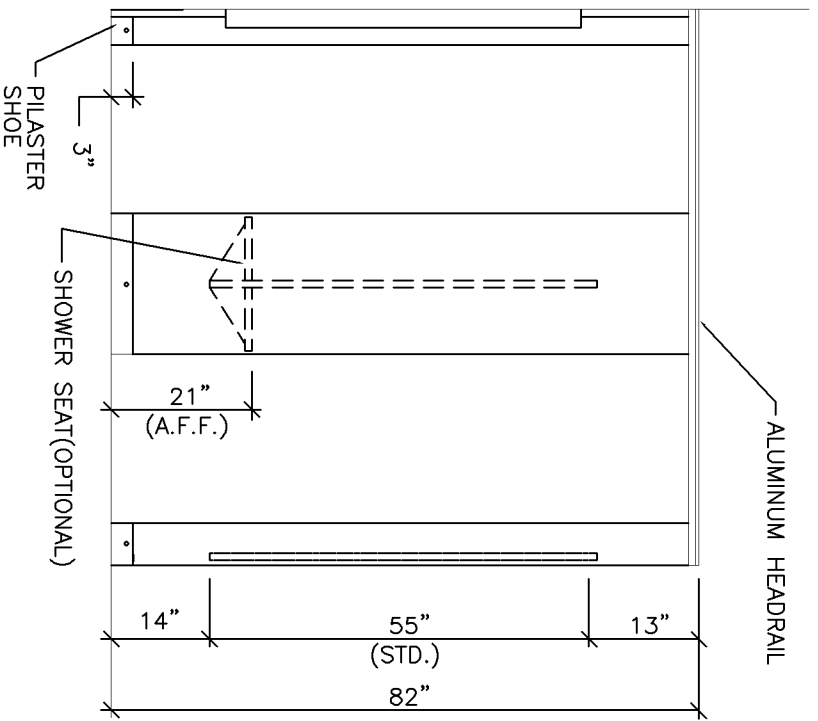
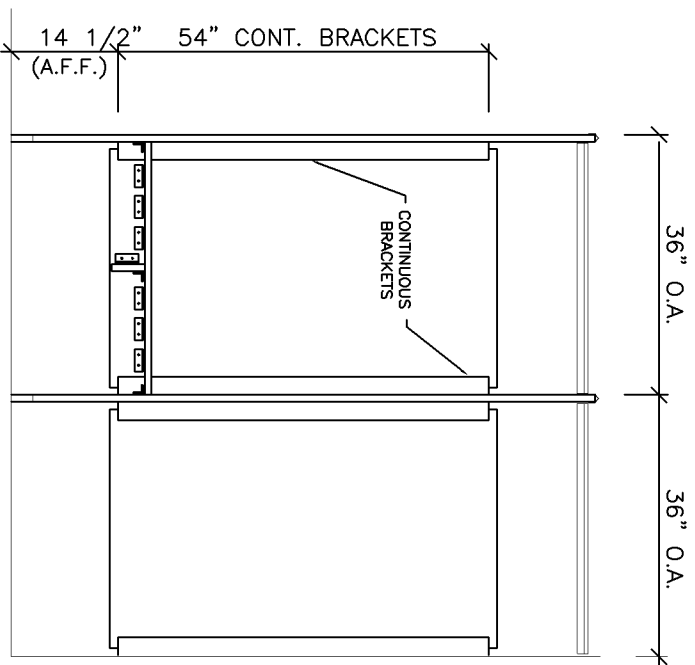


\* CONTINUOUS BRACKETS



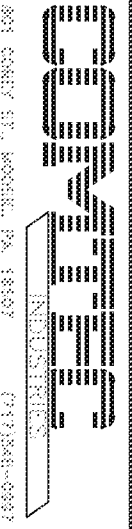
STD. FRONT ELEVATION  
N T S



STD. SIDE ELEVATION  
N T S

NOTES 1

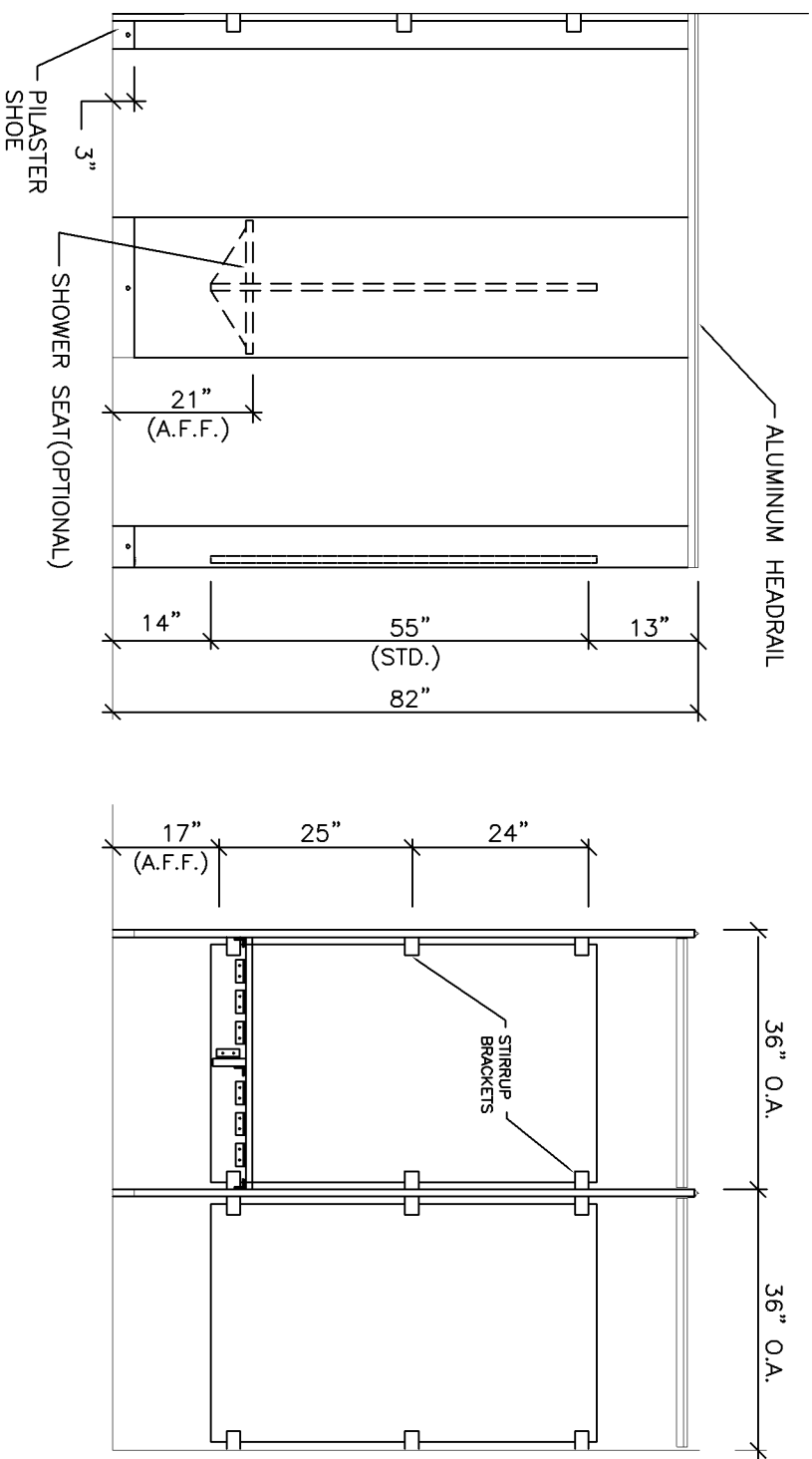
1. ELEVATIONS SHOWN ARE FLOOR MOUNTED HEADRAIL BRACED USING CONTINUOUS BRACKETS .
2. NO SHOWER HOOKS WILL BE SUPPLIED UNLESS SPECIFIED FOR ALL SHOWER COMPARTMENT OPENINGS. SHOWER CURTAINS WILL BE SUPPLIED ONLY WHEN QUOTED WITH THE ORDER.



SHOWER/DRESSING ELEVATIONS

DATE: N T S	APPROVED:	REVISIONS:	NOTES:
DESIGNED BY:	APPROVED BY:	REVISION 1:	1. ALL DIMENSIONS ARE IN INCHES UNLESS OTHERWISE SPECIFIED.
CHECKED BY:	DATE:	REVISION 2:	2. ALL DIMENSIONS ARE TO FACE UNLESS OTHERWISE SPECIFIED.
DATE:	DATE:	REVISION 3:	3. ALL DIMENSIONS ARE TO FACE UNLESS OTHERWISE SPECIFIED.
DATE:	DATE:	REVISION 4:	4. ALL DIMENSIONS ARE TO FACE UNLESS OTHERWISE SPECIFIED.
DATE:	DATE:	REVISION 5:	5. ALL DIMENSIONS ARE TO FACE UNLESS OTHERWISE SPECIFIED.

\* STIRRUP BRACKETS



STD. FRONT ELEVATION

N T S

STD. SIDE ELEVATION

N T S

NOTES

1. ELEVATIONS SHOWN ARE FLOOR MOUNTED HEADRAIL BRACED USING STIRRUP BRACKETS (THREE PER CONNECTION).
2. NO SHOWER HOOKS WILL BE SUPPLIED UNLESS SPECIFIED FOR ALL SHOWER COMPARTMENT OPENINGS. SHOWER CURTAINS WILL BE SUPPLIED ONLY WHEN QUOTED WITH THE ORDER.

SHOWER/DRESSING ELEVATIONS

DATE: \_\_\_\_\_

PROJECT: \_\_\_\_\_

DESIGNED BY: \_\_\_\_\_

CHECKED BY: \_\_\_\_\_

DATE: \_\_\_\_\_

PROJECT: \_\_\_\_\_

DESIGNED BY: \_\_\_\_\_

CHECKED BY: \_\_\_\_\_

DATE: \_\_\_\_\_

PROJECT: \_\_\_\_\_

DESIGNED BY: \_\_\_\_\_

CHECKED BY: \_\_\_\_\_

SHOWER/DRESSING ELEVATIONS

DATE: \_\_\_\_\_ PROJECT: \_\_\_\_\_

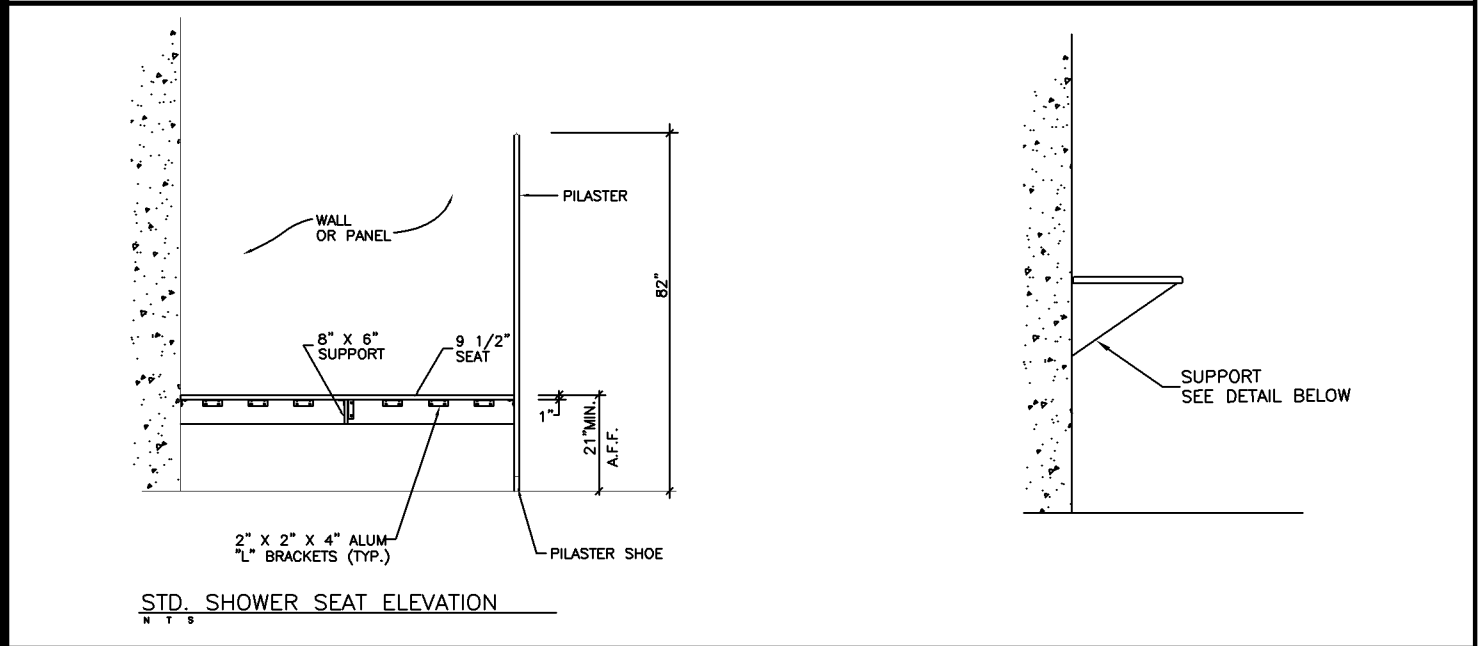
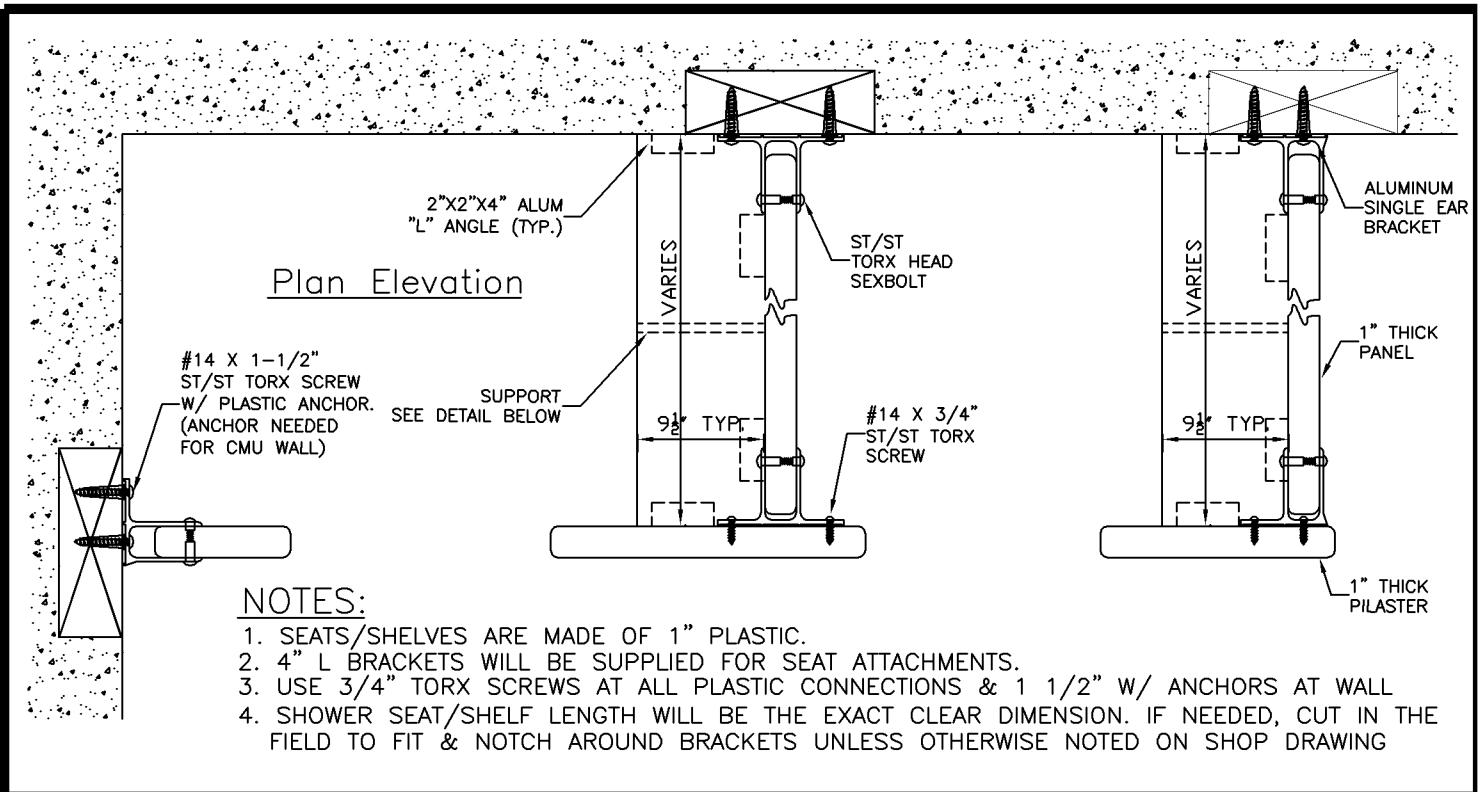
DESIGNED BY: \_\_\_\_\_ CHECKED BY: \_\_\_\_\_

DATE: \_\_\_\_\_ PROJECT: \_\_\_\_\_

DESIGNED BY: \_\_\_\_\_ CHECKED BY: \_\_\_\_\_

DATE: \_\_\_\_\_ PROJECT: \_\_\_\_\_

DESIGNED BY: \_\_\_\_\_ CHECKED BY: \_\_\_\_\_



**COMTEC / CAPITOL PARTITIONS INDUSTRIES**

600 WINFIELD AVE. SCRANTON, PA. 18507 1(800)-445-5148

**STANDARD ELEVATIONS**  
 (Drawings are not to scale)  
 ELEVATION SHOW CONNECTION TO PILASTER AND WALL BUT SEATS CAN BE MOUNTED TO PANELS AS WELL AS FREE STANDING UNITS.

**Note: "Job-Specific Specifications" for all orders are located on the top of the shop drawing layouts.**

**\* HEATSINC NOTE:** Heatsinc is to be placed on the bottom of the panels & doors. (If specified)

