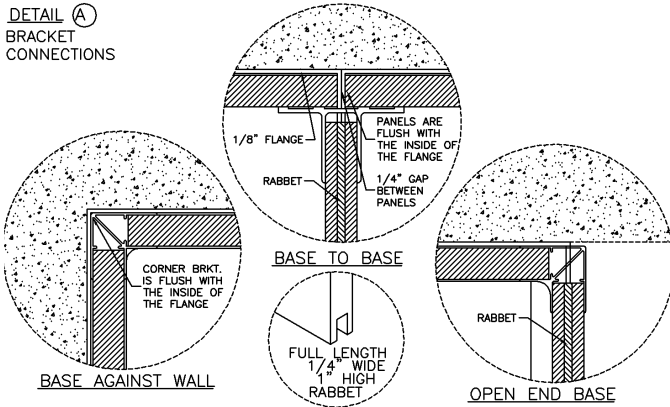
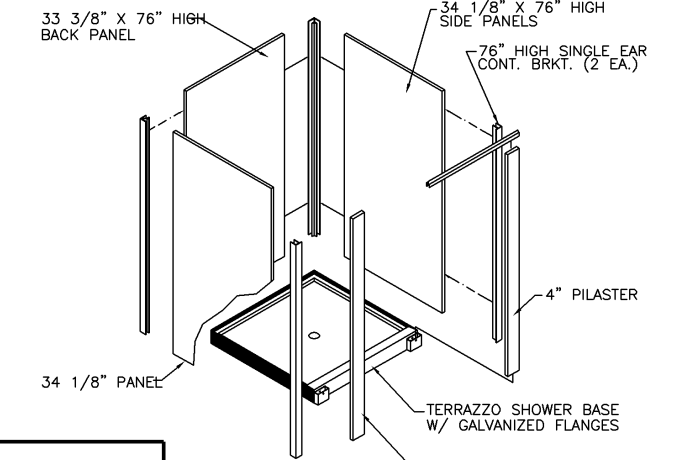
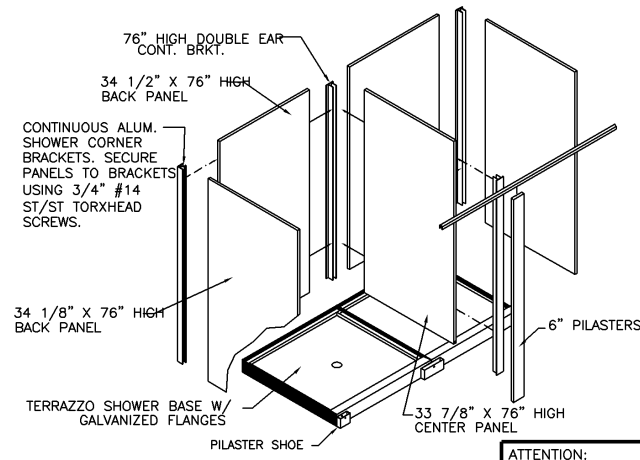
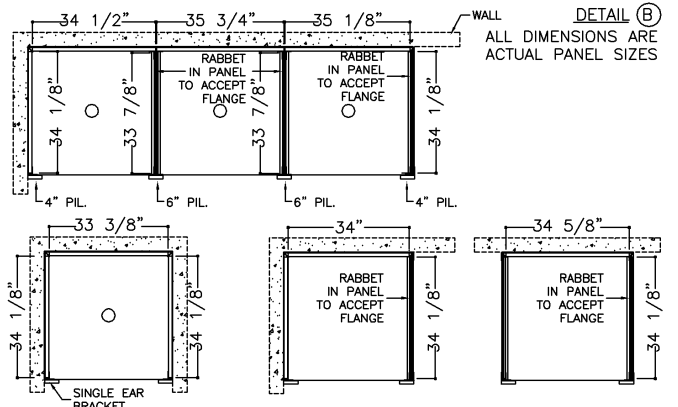


**Solid Plastic Shower Cubicles**

**DETAIL (A)**  
BRACKET CONNECTIONS



**DETAIL (B)**  
ALL DIMENSIONS ARE ACTUAL PANEL SIZES



**ATTENTION:**  
ALL PANELS ARE TO BE MOUNTED ON THE INSIDE OF THE FLANGE, ATOP OF THE BASE.

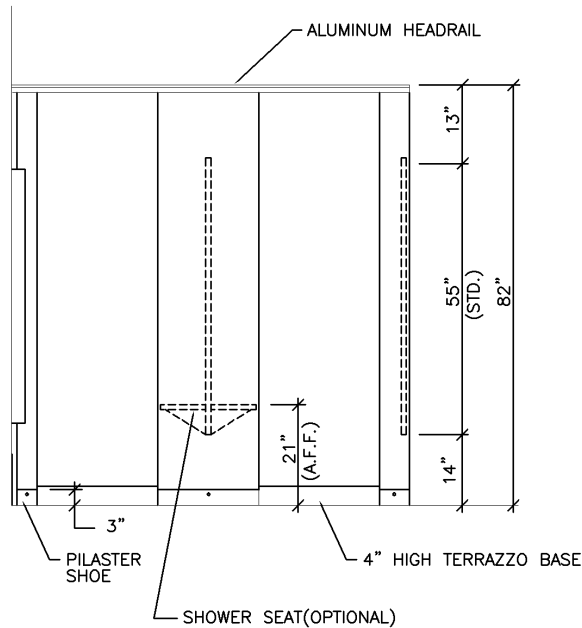


**Standard Elevations:**  
(Drawings are not to scale)  
• Multiple Base Connections 36" x 36"  
Galv. Flanged Base

**Note:**  
1. Refer to detail A for all bracket connections.  
2. Refer to detail B for panel sizes & details.  
3. Bases not supplied by Scranton Products.

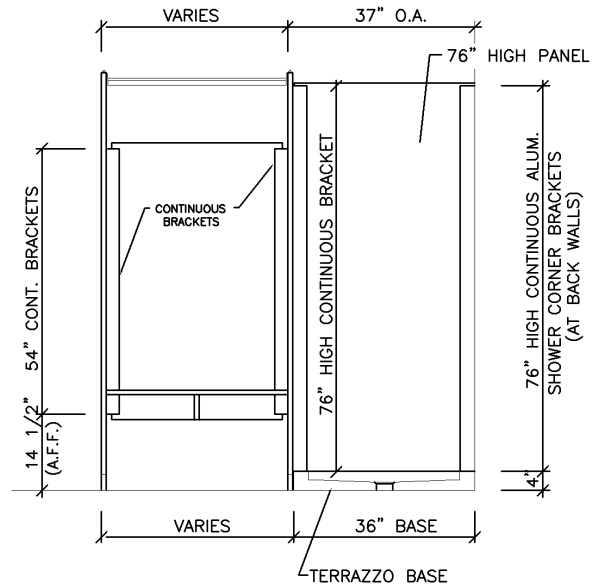


**Solid Plastic Shower Cubicles**



STD. FRONT ELEVATION

N T S



STD. SIDE ELEVATION

N T S



**Standard Elevations:**

(Drawings are not to scale)

- Shower/Dressing with Flanged Base
- Continuous Brackets
- Galvanized Flanged Base

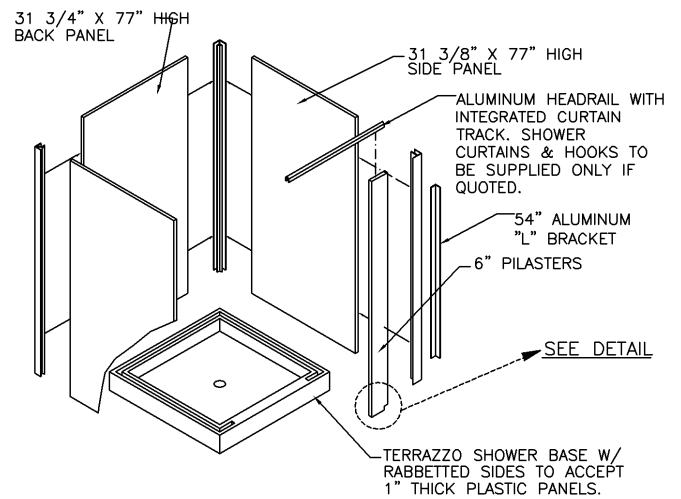
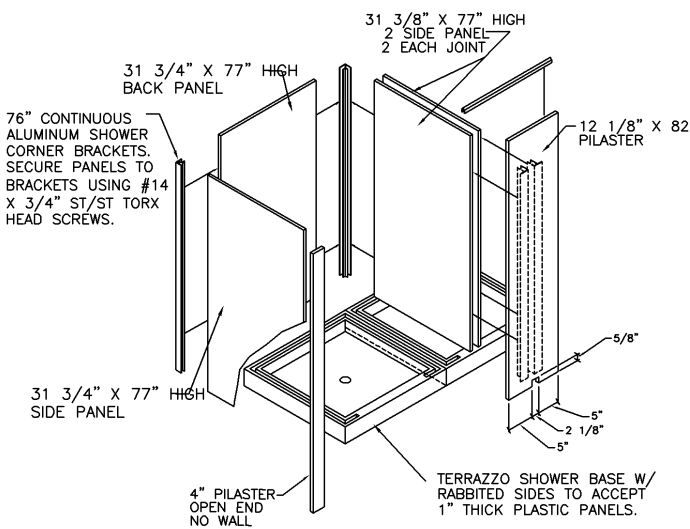
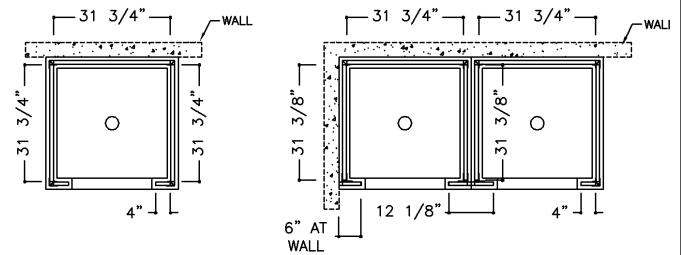
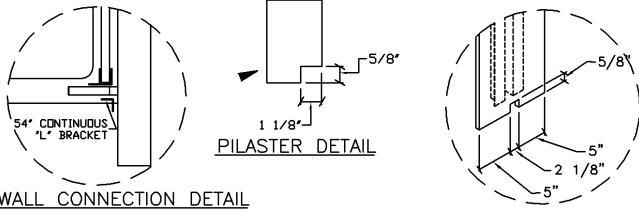
**Note:**

1. Doors larger than 30" are to be set to the closed position.
2. Where pilasters and panels meet there is a 1/2" space.
3. Where Pilasters and/or panels meet a wall there is a 1" space.
4. Headrail shall be cut 2" longer than the overall dimension, and cut to size in the field by the installer.

**Notes:**

1. Elevations shown are floor mounted headrail-braced using continuous brackets.
2. No shower curtain hooks will be supplied unless specified for both the shower compartment and the dressing compartments (10 per opening).
3. Shower curtains will be supplied only when quoted with the order.

**Solid Plastic Shower Cubicles**



**ATTENTION:**  
ALL PANELS ARE TO BE MOUNTED ON THE INSIDE OF THE RABBET IN THE BASE.



**Standard Elevations:**

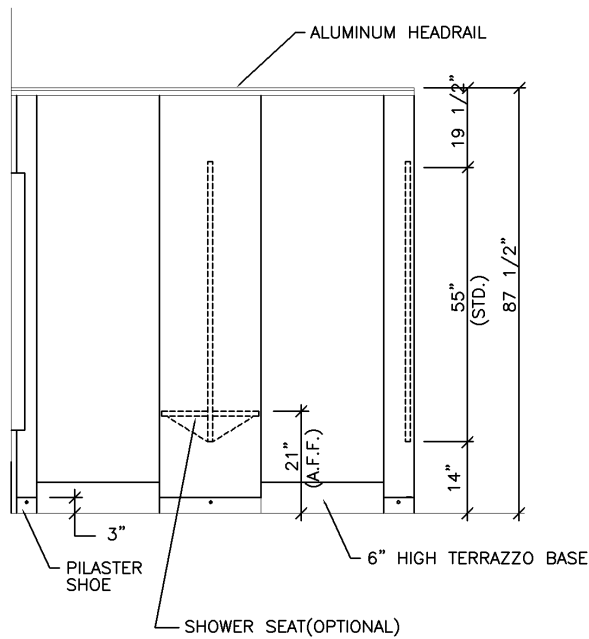
(Drawings are not to scale)

- Multiple Base Connections 36" x 36" Rabbeted Base.

**Note:**

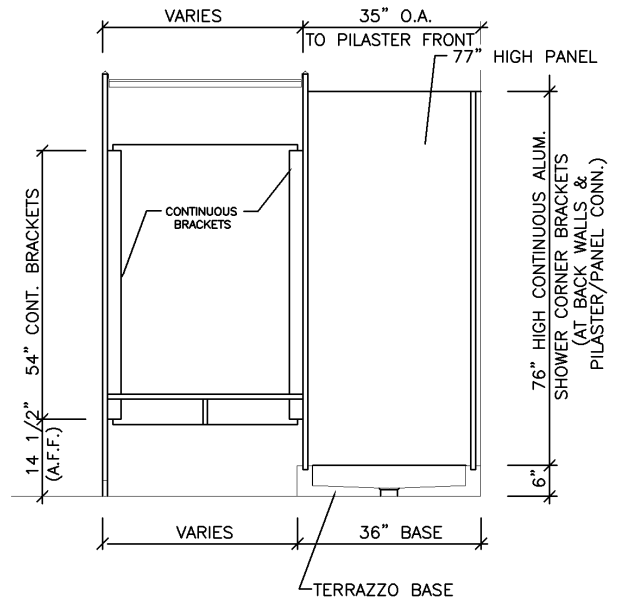
1. Bases not supplied by Scranton Products.

**Solid Plastic Shower Cubicles**



STD. FRONT ELEVATION

N T S



STD. SIDE ELEVATION

N T S



**Standard Elevations:**

(Drawings are not to scale)

- Shower/Dressing with Rabbeted Base

**Note:**

1. Doors larger than 30" are to be set to the closed position.
2. Where pilasters and panels meet there is a 1/2" space.
3. Where Pilasters and/or panels meet a wall there is a 1" space.
4. Headrail shall be cut 2" longer than the overall dimension, and cut to size in the field by the installer.

**Notes:**

1. Elevations shown are floor mounted headrail-braced using continuous brackets.
2. Shower hooks will be supplied for both the shower compartment and the dressing compartments (10 per opening).
3. Shower curtains will be supplied only when quoted with the order.